

Cylinder Recharge Adapters

FEATURES

- For Approvals, see the “COMPATIBILITY” table on page 2.

DESCRIPTION

The cylinder recharge adapter are installed in the cylinder discharge outlet during the cylinder charging procedure.

AGENT CYLINDER RECHARGE ADAPTERS P/Ns: 82-878757-000 AND 82-878758-000

These adapter are used for refilling the agent cylinder with the agent and if applicable super pressurizing the cylinder with Nitrogen. For more details, see the corresponding Design, Installation, Operation and Maintenance Manual listed in the “COMPATIBILITY” table on page 2.

Note: Not for use on the Kidde Fire Systems Natura™ Inert Gas System. For Natura agent cylinders, see datasheet K-38-2600

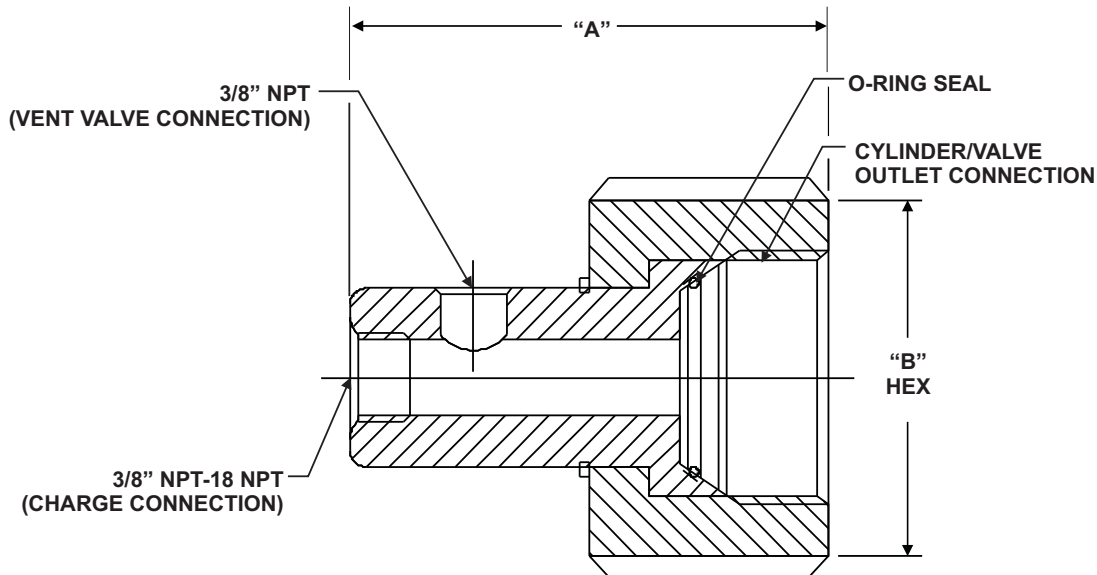


Table 1: Agent Cylinder Recharge Adapter Details

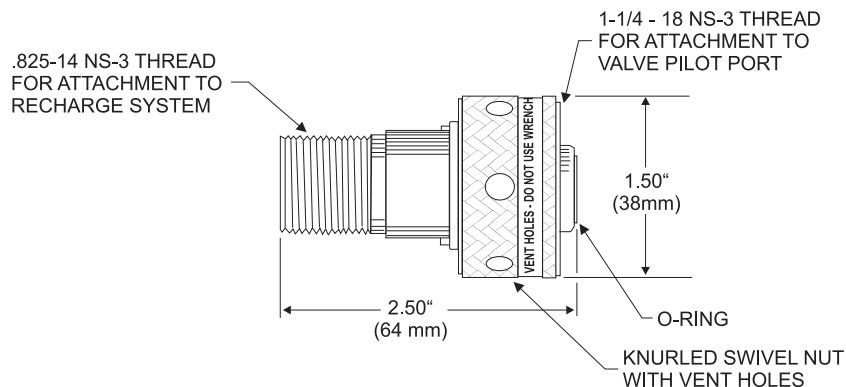
| Part Number | Used for Valve Size | Dimensions | |
|---|---------------------|-------------------|------------------|
| | | A | B |
| 82-878757-000 | 1 1/2 inch valve | 3.22 in. (82 mm) | 2.50 in. (64 mm) |
| 82-878758-000 | 2 inch valve | 4.06 in. (103 mm) | 3.25 in. (83 mm) |
| Note: Fill adapter not required for cylinders that use a 3-inch valve. | | | |

MATERIAL

Zinc Plated Steel

N2 PILOT, SIREN, AND AGENT DRIVER RECHARGE ADAPTER P/N: WK-933537-000

The recharge adapter, Part No. WK-933537-000 (Figure 2-80), is used to fill the Nitrogen cylinder assemblies. The adapter is attached to the cylinder valve pilot port connection during cylinder charging.



COMPATIBILITY

| Series | DIOM P/N | Approvals |
|--|---------------|---------------|
| Kidde Fire Systems ECS-500™ System | 06-237585-001 | UL, ULC, FM |
| Kidde Fire Systems ECS-500™ Marine System | 06-237589-001 | UL, ULC, USCG |
| Kidde Fire Systems ADS™ for use with Fluoroketone Fire Suppression Agents | 06-237256-001 | UL, ULC, FM |
| Kidde Fire Systems ADS™ Marine for use with Fluoroketone Fire Suppression Agents | 06-237257-001 | UL, ULC, USCG |
| Kidde Fire Systems ADS™ with HFC-227ea Agent | 06-236068-001 | UL, ULC, FM |
| Kidde Fire Systems ADS™ Marine with HFC-227ea Agent | 06-236595-001 | UL, ULC, USCG |
| Kidde Fire Systems ECS™ 360 for use with Fluoroketone Fire Suppression Agents | 06-236553-001 | UL, ULC, FM |
| Kidde Fire Systems ECS™ 360 Marine for use with Fluoroketone Fire Suppression Agents | 06-236559-001 | UL, ULC, USCG |
| Kidde Fire Systems ECS™ 360 with HFC-227ea Agent | 06-236115-001 | UL, ULC, FM |
| Kidde Fire Systems Modular ECS™ 360 with HFC-227ea Agent | 06-236116-001 | UL, ULC, FM |
| Kidde Fire Systems ECS™ 360 Marine with HFC-227ea Agent | 06-236225-001 | UL, USCG |
| Kidde Fire Systems FE-13™ Engineered Suppression System | 06-236169-002 | UL |
| Kidde Fire Systems Natura™ Inert Gas System* | 06-237619-001 | UL, FM |
| *On Natura systems, use only WK-933537-000 for pilot cylinders. For agent cylinders, see datasheet K-38-2600 | | |

EXPORT INFORMATION (USA)

Jurisdiction: EAR
Classification: EAR99

This document contains technical data subject to the EAR.

All trademarks are the property of their respective owners.

This literature is provided for informational purposes only. KIDDE-FENWAL, INC. believes this data to be accurate, but it is published and presented without any guarantee or warranty whatsoever. KIDDE-FENWAL, INC. assumes no responsibility for the product's suitability for a particular application. The fire suppression system design, installation, maintenance, service and troubleshooting must be performed by trained, authorized Kidde Fire Systems distributors for the product to work correctly. If you need more information on this product, or if you have a particular problem or question, contact: KIDDE-FENWAL, INC., Ashland, MA 01721 USA, Telephone: (508) 881-2000.